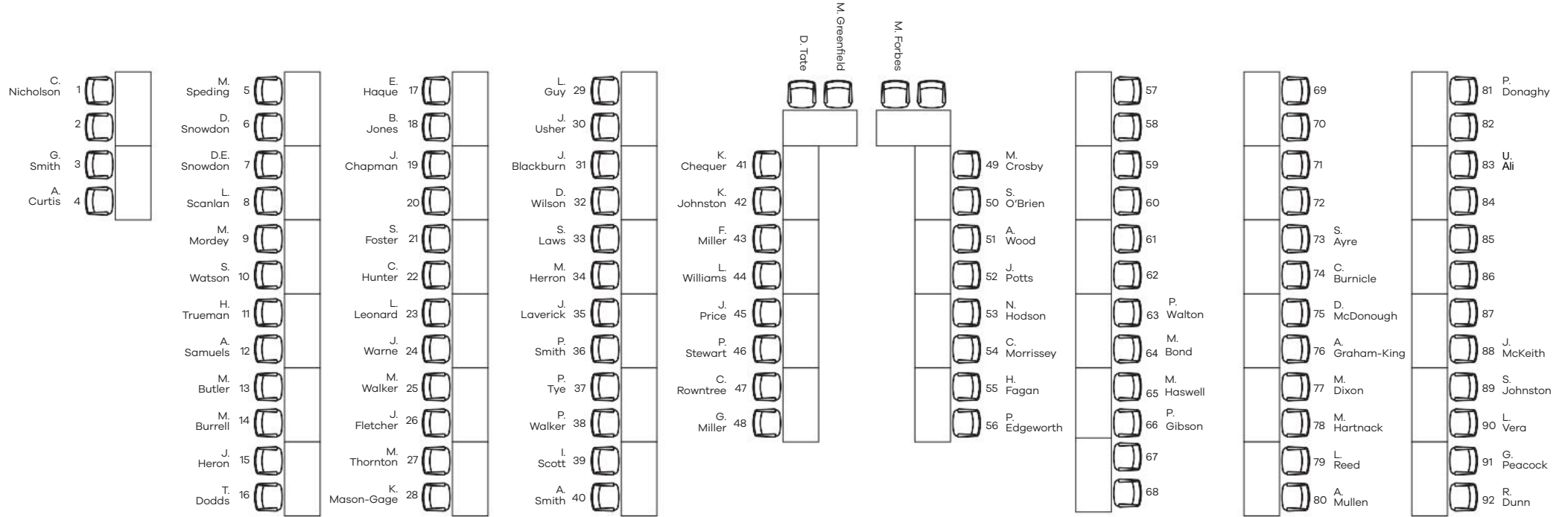


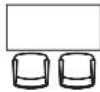
Chief Officer seating



Honorary Aldermen



AV Access



Governance Services

