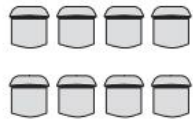
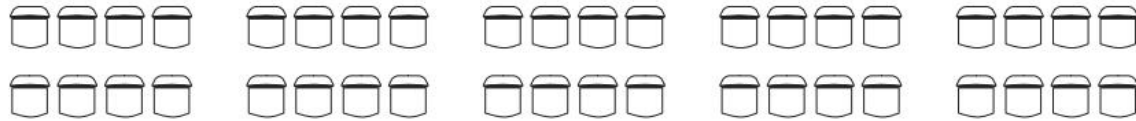


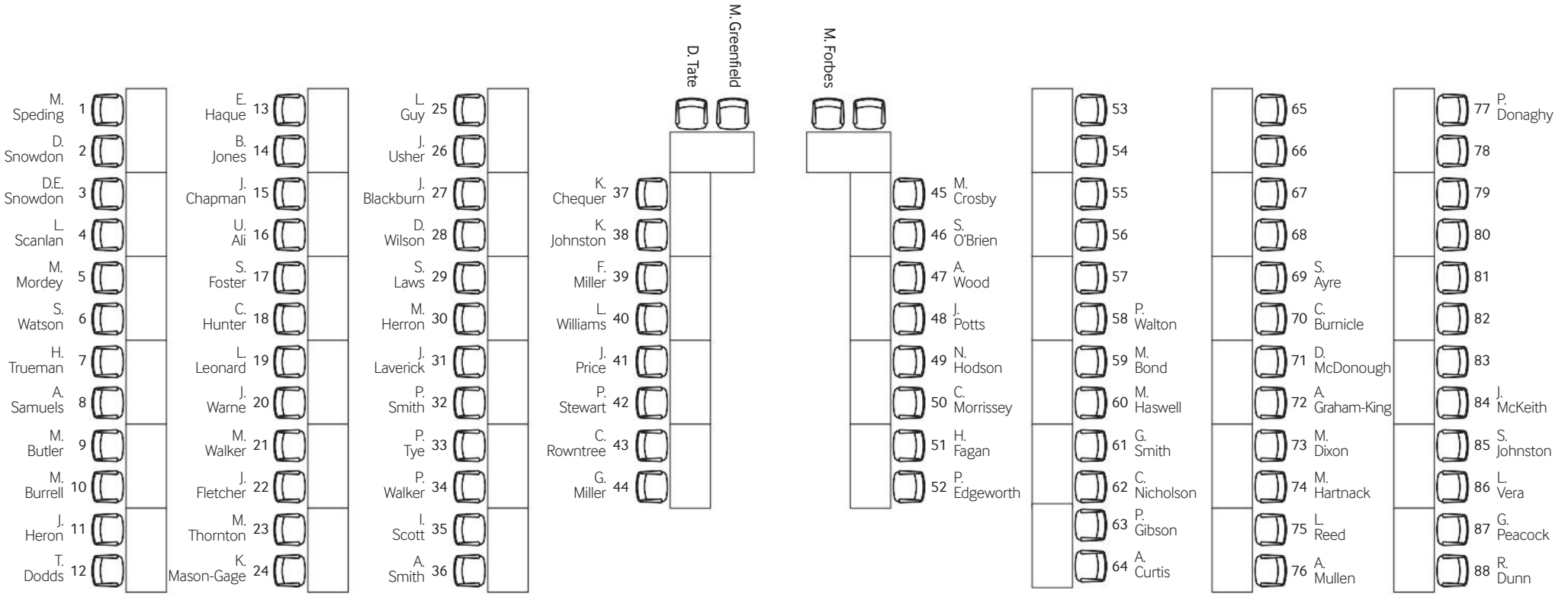
**Chief Officer seating**



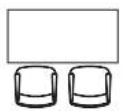
**Press and Public Gallery**



**Honorary Aldermen**



**AV Access**



**Governance Services**

